

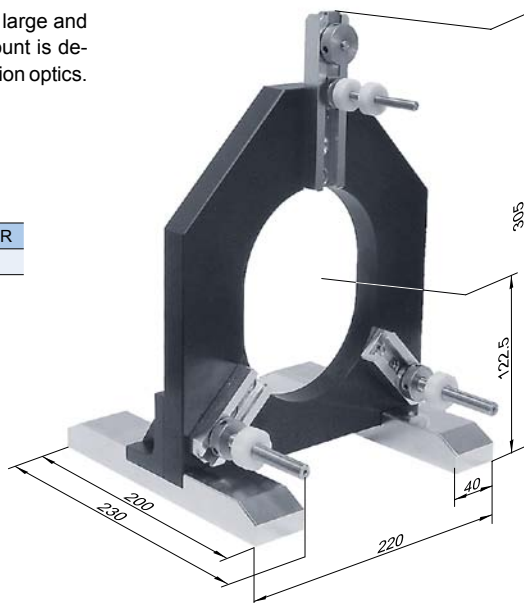
840-0006

LARGE OPTICAL MOUNT

- Optics diameter 115–250 mm
- Optics thickness 52 mm
- Load capacity 6 kg

Big Optical Mount for large and heavy optics. The mount is designed for a transmission optics.

Code	Weight, kg	Price, EUR
840-0006	5.3	290



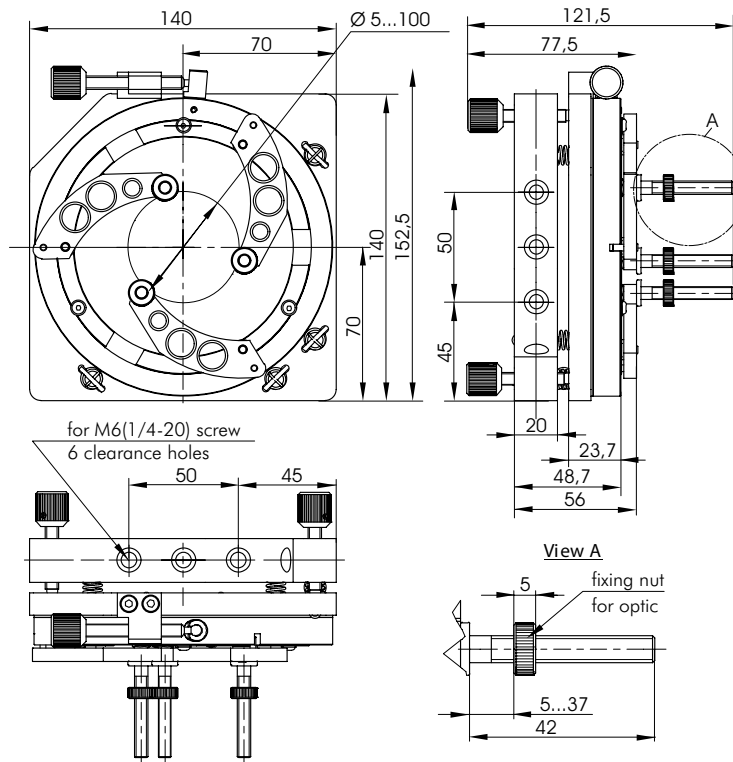
840-0007

SELF-CENTRING LARGE APERTURE OPTICAL MOUNT



840-0007-10

- Tilt/tip range $\pm 2.2^\circ$
- Linear adjustment of X axis is possible on request
- More linear axes are possible on request
- Great variety of optics diameters can be used with this mount



840-0007-10

OPTICAL TABLES

BRACKETS & RAILS

BASE MOUNTS & ACCESSORIES

OPTICAL MOUNTS

OPTICAL POSITIONERS

BASE POSITIONERS

TRANSLATION & ROTATION STAGES

ADJUSTMENT SCREWS

MOTORIZED POSITIONERS